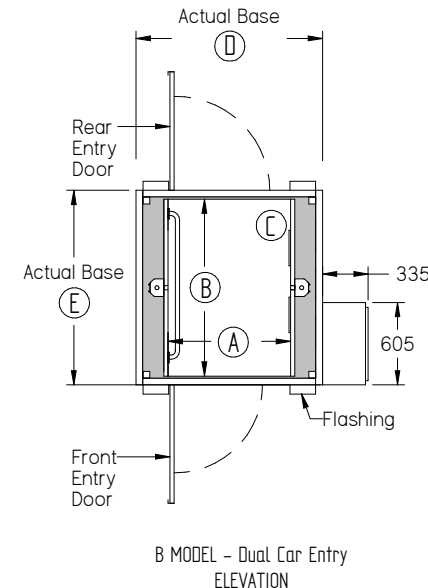
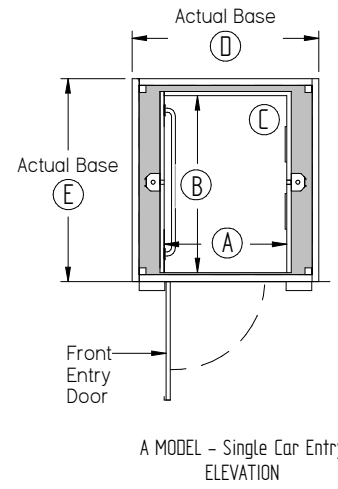
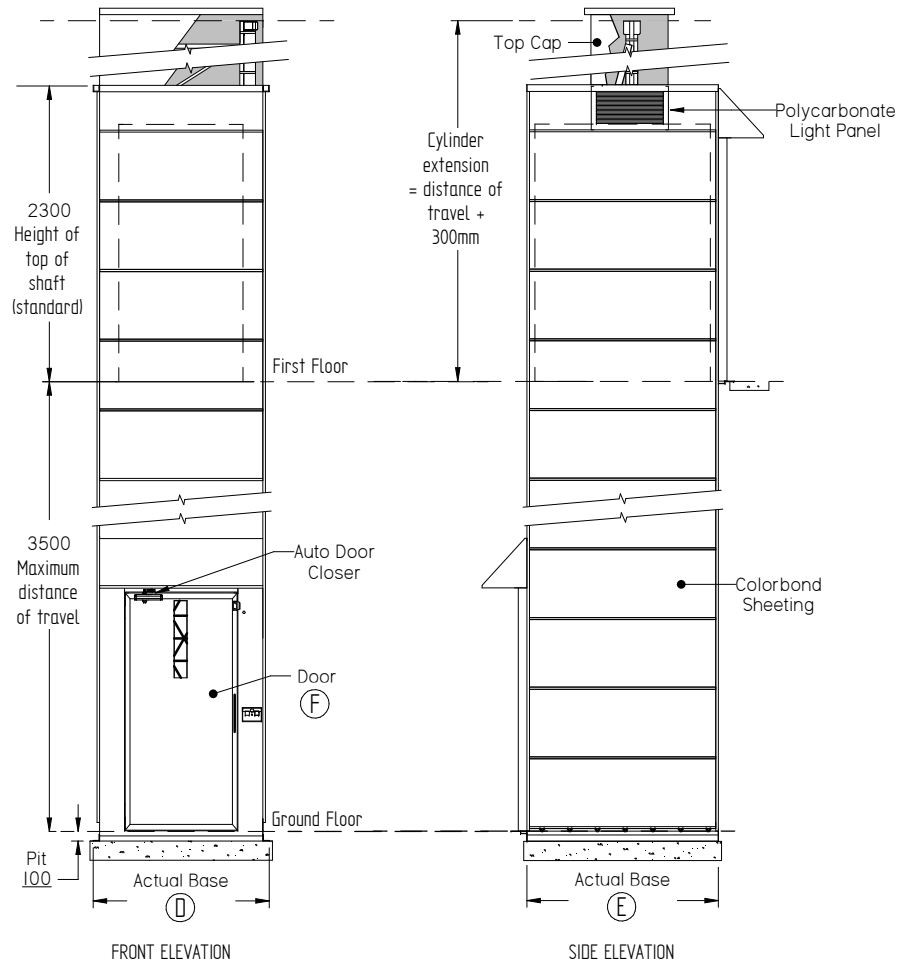


THE GEMINI Hyd 16 Oil hydraulic lift



Builder's Information

Supplied as a self supporting unit the lift requires no load bearing walls.

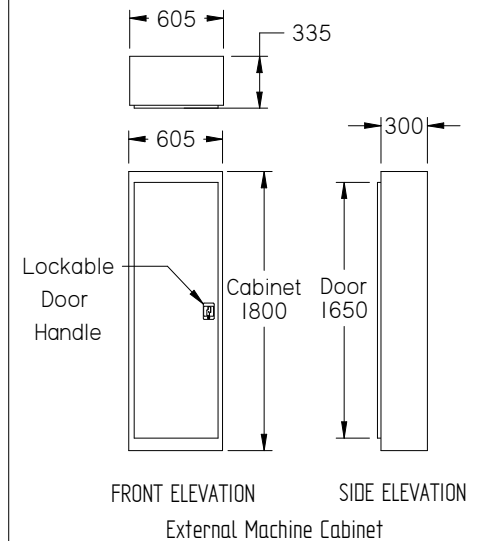
Available in a number of colorbond colours the external paneling of the Gemini comes in two heights. - 550mm & 240mm

Power requirements: Single Phase 240V 16amp.

Phone: Extension of home phone line

For technical details or confirmed slab & penetration measurements please contact one of our qualified Lift Consultant

PLAN VIEW



Lift Measurements						
Description	Car Width	Car Depth	Car Height	Shaft Width	Shaft Depth	Door Width
Key	A	B	C	D	E	F
Single entry - Standard	900	1300	2020	1350	1470	910
Dual entry - Standard	900	1300	2020	1350	1410	910
Single entry - Deluxe	1125	1415	2020	1575	1585	970
Dual entry - Deluxe	1125	1415	2020	1575	1525	970

PLEASE NOTE: If overhead height is an issue for the cylinder extension, they can be lowered into a trench below the lift's standard 100mm pit. These are indicative drawings. Please speak to one of our friendly Lift Consultants for further information on lift requirements.

For confirmation of measurement please contact you local Gemini Hyd 16 supplier as these dimension and specification are a guide only and must not be used for construction purposes.

DRW: 170308_137

DRAWN ProjectManager 10/02/17
CHECKED Toni Gregory

CATEGORY: Oil Hyd
LAST AUTHOR: Toni
LAST MODIFIED: 8/03/2017
LAST PRINTED: 9/03/2017

GEMINI HYD 16 oil hydraulic residential lift
Generic Drawing

SIZE: A3 SHEET 1 OF 1 Dimensions: mm (unless specified)

Option of
900 x 1300 x 2020 lift car or
1125 x 1415 x 2020 lift car
Australian Standard 1735 part 16