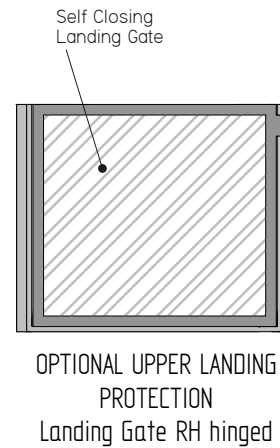
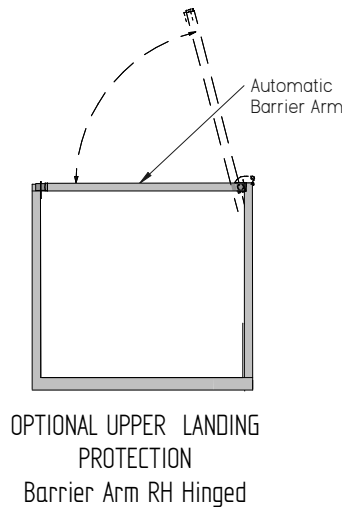
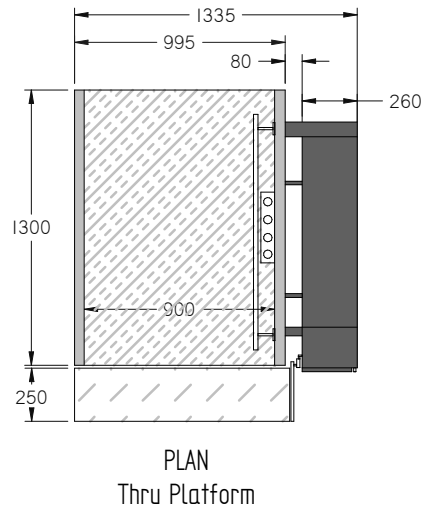
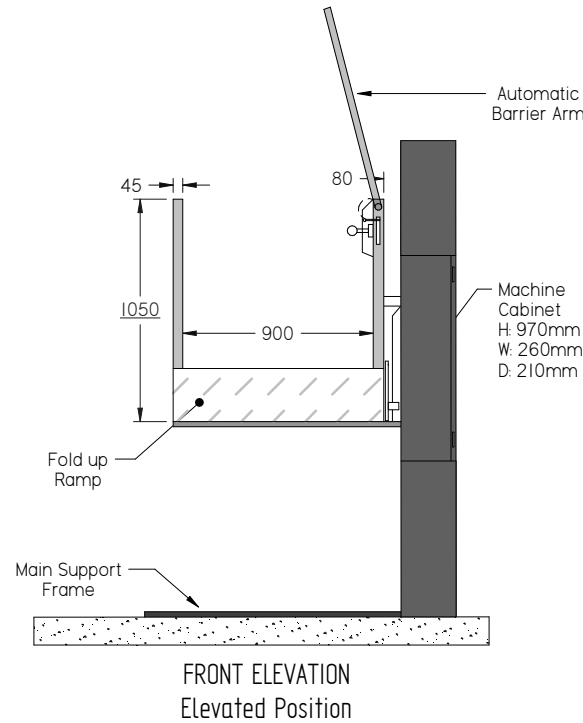
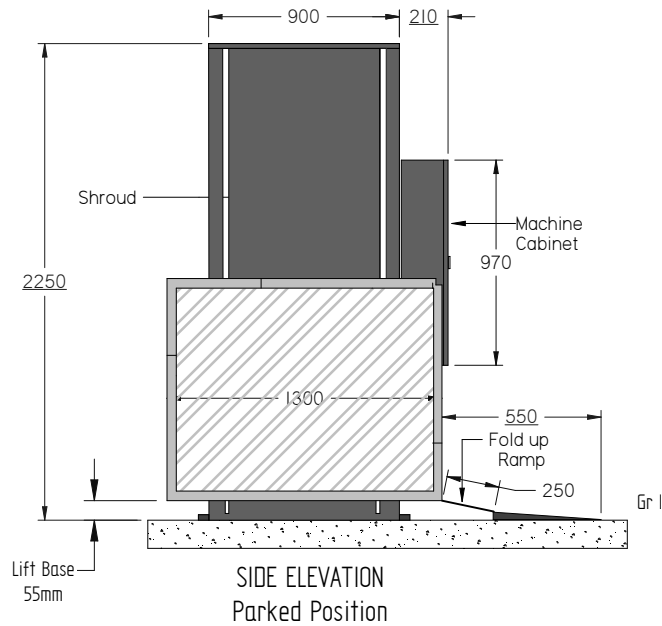


Thru Platform with Right Hand Shroud



**SAMPLE ONLY
NOT FOR
CONSTRUCTION**

Building Information

The Nova is fitted with underpan sensor no entrapment walls are required.
Power requirements: Single Phase 240V 16amp.
For technical details or confirmed slab & penetration measurements please contact one of our qualified Lift Consultant

| AUSSIE LIFTS | |
|--|--------------------------|
| Drawing Approval | |
| Date Approved: | / / |
| WITH NO CHANGES | <input type="checkbox"/> |
| WITH CHANGES AS NOTED <small>*All changes must be initialed</small> | <input type="checkbox"/> |
| Agents Name: | |
| Signature: | |

| LIFT SPECIFICATIONS | |
|--------------------------|-----------------------------|
| Description | Specification |
| Complies with | AS1735 part 14 |
| Built in | Australia by Aussie Lifts |
| Weight capacity | 250kg |
| Speed | 0.05m/sec |
| L/ Landing Protection | Automatic Barrier Arm |
| U/ Landing Protection | Self Closing Aluminium Gate |
| U/ Landing Hinge | Left Hand Side |
| Shroud | Right Hand Side |
| Travel | up to 1000mm |
| Platform Size | 900 x 1300mm |
| Platform Walls | 1050mm |
| Platform Lights | nil |
| Platform Flooring | Indoor/Outdoor Grey Carpet |
| Lift Base | 55mm |
| Under Carrage | Under Pan Sensors |
| Control Panel | Right Hand Side |
| Handrail | Stainless Steel |
| Machine Cabinet Location | Right Hand Side |
| Hydraulic Pump Assembly | Oil Hydraulic |

For confirmation of measurements, please contact your local Nova R250 supplier. These dimensions and specifications are a guide only and must not be used for construction purposes

| | |
|-----------------------|---------------------------------|
| DRW: 170313_8 | CATEGORY: Oil Hyd Direct Acting |
| DRAWN: Toni | LAST AUTHOR: Toni |
| CHECKED: Toni Gregory | LAST MODIFIED: 13/03/2017 |
| | LAST PRINTED: 13/03/2017 |

Nova R250 Thru Platform - Direct Acting
Generic Drawing

SIZE: A3 SHEET 1 OF 1 Dimensions: mm (unless specified)

Nova R250 Thru Platform
900 x 1300 x 1050 platform
Direct Action Hydraulic Cylinders
Australian Standard 1735 part 14