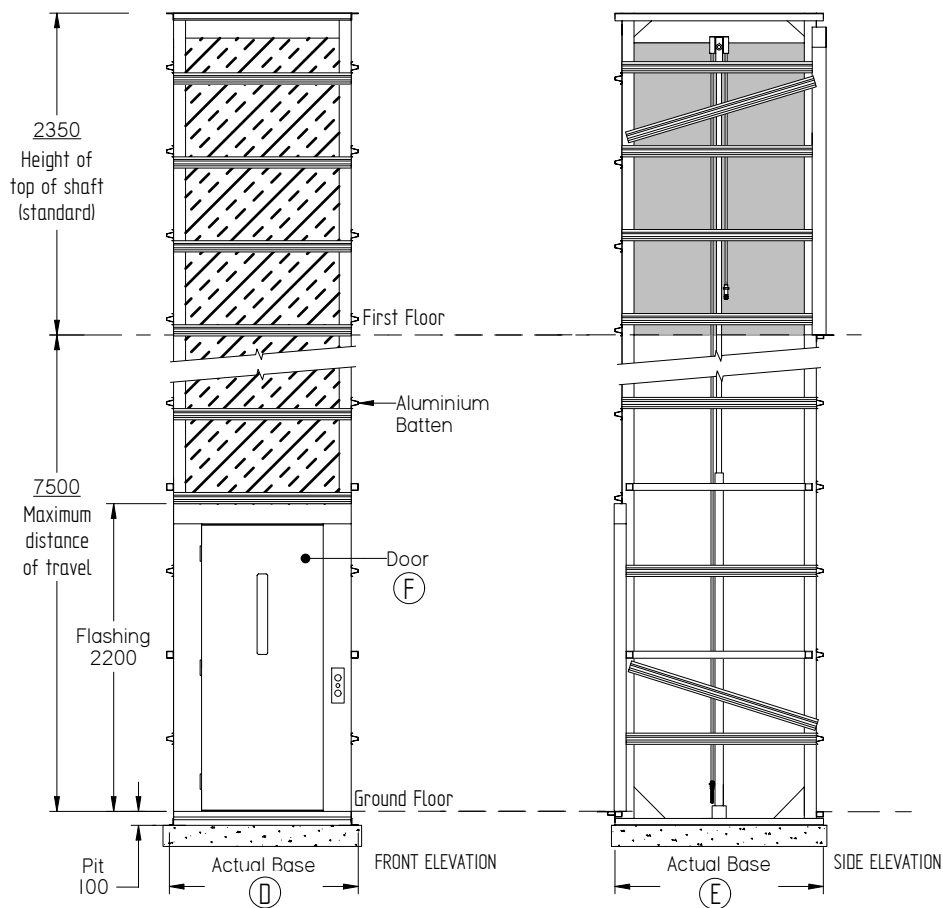
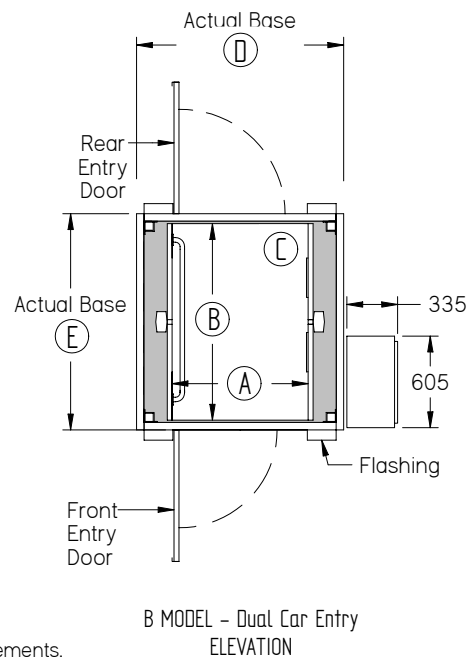
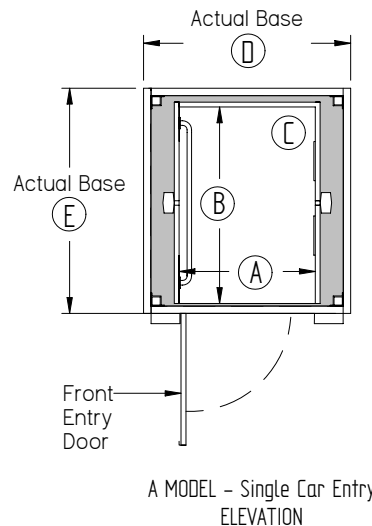


THE PHOENIX oil hydraulic lift



Lift Measurements						
Description	Car Width	Car Depth	Car Height	Shaft Width	Shaft Depth	Door Width
Key	A	B	C	D	E	F
Single Entry - Standard	900	1300	2100	1350	1470	870
Dual Entry - Standard	900	1300	2100	1350	1410	870
Single Entry - Deluxe	1100	1400	2100	1575	1585	920
Dual Entry - Deluxe	1100	1415	2100	1575	1525	920



AUSSIE LIFTS

Builder's Information

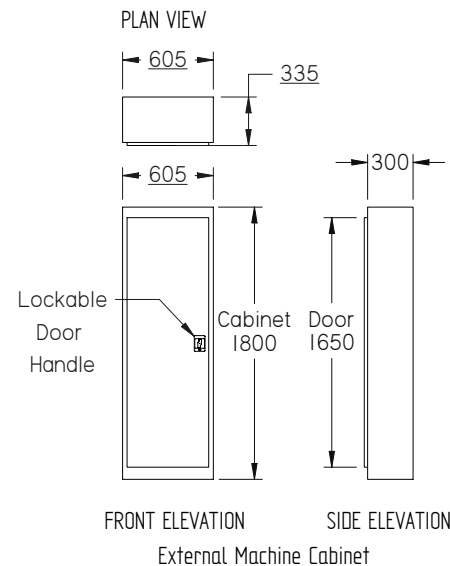
Supplied as a self supporting unit the lift requires no load bearing walls.

If selected, the aluminium battens on the lift can be set up to assist in cladding directly to the lifts tower.

Power requirements: Single Phase 240V 16amp.

Phone: Extension of home phone line

For technical details or confirmed slab & penetration measurements please contact one of our qualified Lift Consultant



PLEASE NOTE: No overhead height is required with this lift as the hydraulic cylinders are contained within the lift shaft. These are indicative drawings. Please speak to one of our friendly Lift Consultants for further information on lift requirements.

For confirmation of measurements, please contact your local Phoenix supplier. These dimensions and specifications are a guide only and must not be used for construction purposes

DRW: 131025_268

DRAWN Production 08/10/13
CHECKED Toni Gregory

CATEGORY: Oil Hyd Chain
LAST AUTHOR: Production
LAST MODIFIED: 25/10/2013
LAST PRINTED: 8/11/2013

PHOENIX oil hyd chain over residential lift
Generic Drawing

SIZE: A3 SHEET 1 OF 1 Dimensions: mm (unless specified)

Option of
900 x 1300 x 2100 lift car or
1100 x 1400 x 2100 lift car
Australian Standard 1735 part 16 & 18