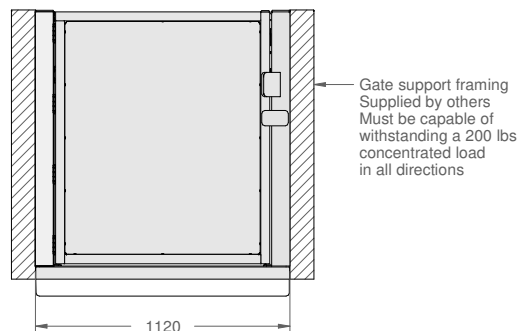
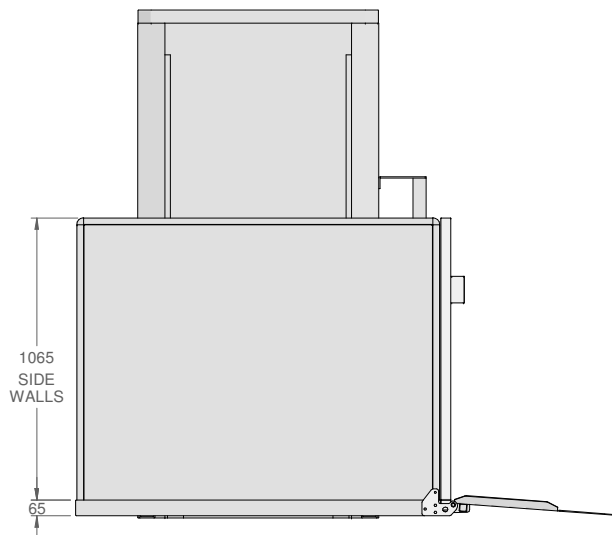


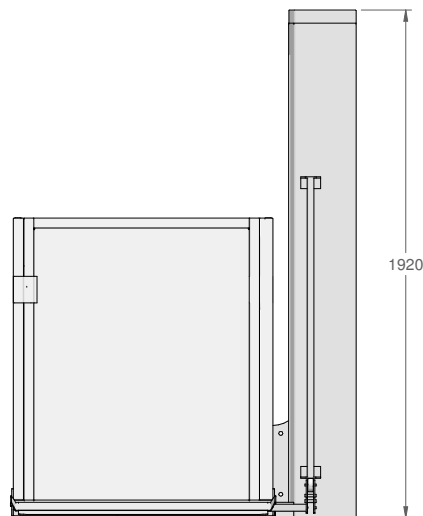
**PLAN ELEVATION**  
THROUGH PLATFORM



**FIXED LANDING GATE**  
UPPER LEVEL



**SIDE ELEVATION**  
LOWERED POSITION



**FRONT ELEVATION**  
LOWERED POSITION

SAMPLE ONLY  
NOT FOR  
CONSTRUCTION

**BUILDING INFORMATION**

The Bruno VPL is fitted with underpan sensors and emergency stop button in car

Power requirements: Single Phase 240V 16amp.

For technical details or confirmed slab & penetration measurements please contact one of our qualified Lift Consultants

**LIFT SPECIFICATIONS**

DESCRIPTION	SPECIFICATION
Complies with	USA ASME 18.1
Built in	USA - Bruno
Weight capacity	340kg
Speed	0.05m/sec
L/ Landing protection	Platform gate
U/ Landing protection	Upper landing gate
U/ Landing hinge	Right hand side
Shroud	Right hand side
Pad to landing	Up to 1346mm
Platform size	920 x 1380mm
Platform walls	1065mm high
Platform flooring	Powdercoated non-slip
Lift base	65mm
Under carriage	Underpan sensors
Control panel	Right hand side
Handrail	Stainless steel
Machine access	Within shroud
Lift power	24v Battery operation
Mains power	240v/ 16amps



For confirmation of measurements, please contact your local Aussie Lifts supplier. These dimensions and specifications are a guide only and must not be used for construction purposes

**Bruno VPL3153B - Residential**

920 x 1380 through car, Right hand shroud

SIZE: A4 SHEET: 1 OF 1 DIMENSIONS: MM (UNLESS SPECIFIED)

**913-RS-T-PG-LG**

Bruno VPL Through car 920 x 1380 x 1065 platform ACME Screw type drive USA ASME 18.1

DRAWN	05/24/18
CHECKED	