

# AUSSIE LIFTS

## The Silent Servant - Dumb Waiter



### Product Description

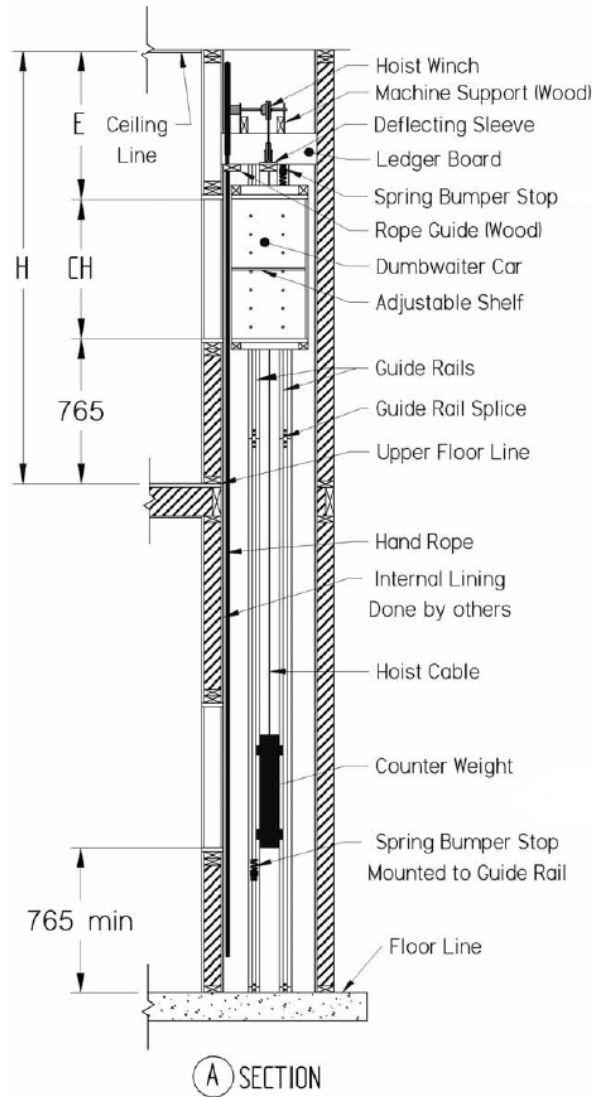
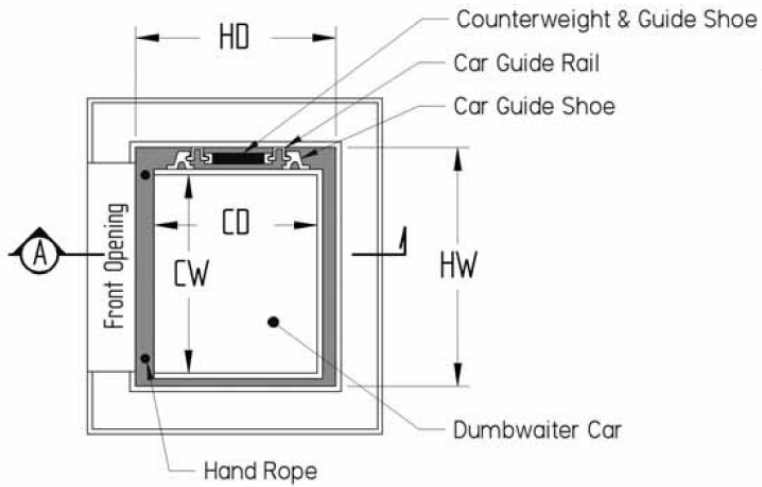
The Silent Servant is a manually operated dumbwaiter specifically designed to move goods such as groceries, laundry, firewood, etc, between the floors of multi-level homes.

Using an advanced heavy-duty counter-weighted hoist-mechanism, the Silent Servant delivers a smooth, quiet operation with minimum effort. Made in the USA and imported by Aussie Lifts, the Silent Servant is made from quality materials to insure a lifetime of trouble-free service with a minimum of maintenance.

### Specifications

<b>Manufactured in:</b>	USA
<b>Imported by:</b>	Aussie Lifts Pty Ltd
<b>Car Construction:</b>	Hardwood veneer with laminated plastic edging and carbon steel fittings
<b>Lift Mechanism:</b>	Heavy duty hoist machine, self-aligning ball bearings, fully automatic brake mechanism, lift car runs on machine grooved rails
<b>Braking System:</b>	Fully automatic gray-iron and aluminium-bronze brake system
<b>Counterweight:</b>	Solid iron counterweight running on machine grooved rails

<b>Cables:</b>	Galvanized aircraft cable 3/16" 7 x 19 - ultimate breaking strength of 2.2 tons
<b>Hand Rope:</b>	Soft woven white polyester 3/4" inch diameter with a swivel connector and wooden guide rail
<b>Waiter Guide Rails:</b>	1/4" extruded 6063-T5 aluminium on both sides of the car with injection moulded Acetyl Copolymer guide shoes (for high strength with minimal friction) for car and counterweight



#### Feature-Packed Design

- Heavy-duty hoist machine
- Self-aligning ball bearings
- Fully automatic brake
- Engineered aluminium guide rails
- Precision moulded bearing-quality guide shoes
- Simplistic design
- Time-saving installation features
- Ecologically sound

#### Residential Applications

- Groceries
- Laundry
- Firewood
- Prepared food and snacks
- Seasonal storage
- Reduce back strain
- Reduce stair usage
- Seniors & disabled

- HW - Hoistway Width
- HD - Hoistway Depth
- CW - Car Width
- CD - Car Depth
- CH - Car Height
- E - Machine Space
- H - Top Floor to Ceiling

**AUSSIE LIFTS**

**The Silent Servant**

**Manually Operated Dumb Waiter**



**AUSSIE LIFTS**

The Silent Servant

Manually Operated Dumb Waiter

<b>Models</b>	<b>pre-gst Dealer Price from A/L Ex QLD</b>
<b>R20 F</b>	\$ 5,600.00
<b>R20 FR</b>	\$ 6,000.00
<b>R20 CP</b>	\$ 6,250.00
<b>R24 F</b>	\$ 6,200.00
<b>R24 FR</b>	\$ 6,600.00
<b>R24 CP</b>	\$ 7,000.00
<b>R28 F</b>	\$ 6,900.00
<b>R28 FR</b>	\$ 7,400.00
<b>R28 CP</b>	\$ 7,800.00
<b>R32F</b>	\$ 7,600.00
<b>R32 FR</b>	\$ 8,250.00
<b>R32 CP</b>	\$ 8,550.00
<i>Extra travel per 300mm (above 3.6m)</i>	\$ 55.00
<i>* Optional - Car Construction - Stainless Steel</i>	\$ 1,750.00
<i>* Optional - Car Construction - Mild Steel</i>	\$ 1,200.00
<i>* Optional - Car Construction - Formica Lined</i>	\$ 550.00

**\*\* Current Installation A/Lifts quote \$1600+gst in addition to Lift Pricing for your reference only \*\***

**\*\*\* Price is ex-Factory Acacia Ridge QLD \*\*\***

**\*\*\*\* Current Lead-time is 8-10 weeks from date of Firm order and initial payment received \*\*\*\***

# AUSSIE LIFTS

## The Silent Servant

### Manually Operated Dumb Waiter

Residential Models									
	HW	HD	OW	OH	* CP Models Only *	* CP Models Only *	H	MB	MS
Builder Required Information (Metric)	Hoistway Width	Hoistway Depth	Door (Front or Rear) Opening Rough Width	Door (Front or Rear) Opening Rough Height	Side Opening Rough Width	Side only Opening Rough Height	Top Floor Ceiling Height	Floor to Top of Machine Block	Ceiling to Top of Machine Block
Model #	Finished Dim	Dim.	Width	Height	Width	Height	(Min Req'd)	(Min. Req'd)	(Min. Req'd)
R20F	610	485	520	815	-	-	2210	1803	406
R20FR	610	485	520	815	-	-	2210	1803	406
R20CP	610	485	520	815	455	815	2362	1803	559
R24F	715	585	625	965	-	-	2464	2007	457
R24FR	715	585	625	965	-	-	2464	2007	457
R24CP	715	585	625	965	550	965	2616	2007	610
R28F	815	690	725	965	-	-	2565	2057	508
R28FR	815	690	725	965	-	-	2565	2057	508
R28CP	815	690	725	965	650	965	2718	2057	660
R32F	915	790	825	965	-	-	2642	2083	559
R32FR	915	790	825	965	-	-	2642	2083	559
R32CP	915	790	825	965	760	965	2794	2083	711

**\*\* Important - The minimum Ceiling Height (H) and (MB) Floor to Top of Machine Block required will allow the minimum 30" / 760mm Sill Height needed for installation and operation of the Silent Servant. (MS) The Ceiling to Top of Machine Block dim is required to house the Silent Server's engine. I.E - If Sill Height is increased, dim's (H,MB) need to also be increased accordingly.**

# AUSSIE LIFTS

The Silent Servant

Manually Operated Dumb Waiter

## Residential Models

Sales / Marketing information  
(Metric)

Model #	Inside Car Dimensions - mm's			KG's	Lift Ratio
	Width	Height	Depth	Capacity	
R20F	470	760	406	23	3
R20FR	470	760	406	23	3
R20CP	470	760	406	23	3
R24F	575	915	508	34	3.7
R24FR	575	915	508	34	3.7
R24CP	575	915	508	34	3.7
R28F	675	915	610	45	4.4
R28FR	675	915	610	45	4.4
R28CP	675	915	610	45	4.4
R32F	775	915	711	52	5
R32FR	775	915	711	52	5
R32CP	775	915	711	52	5