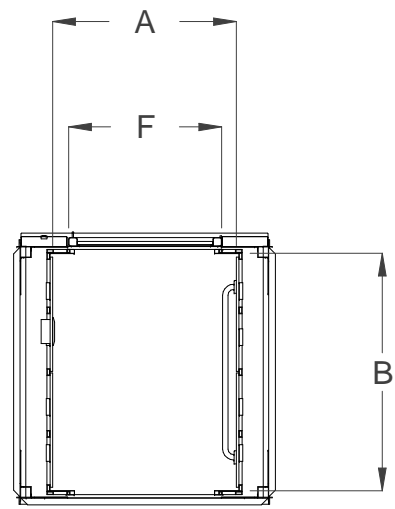
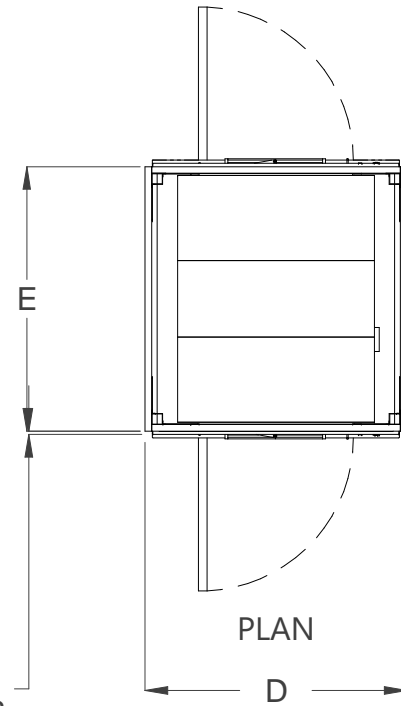


NOT FOR CONSTRUCTION



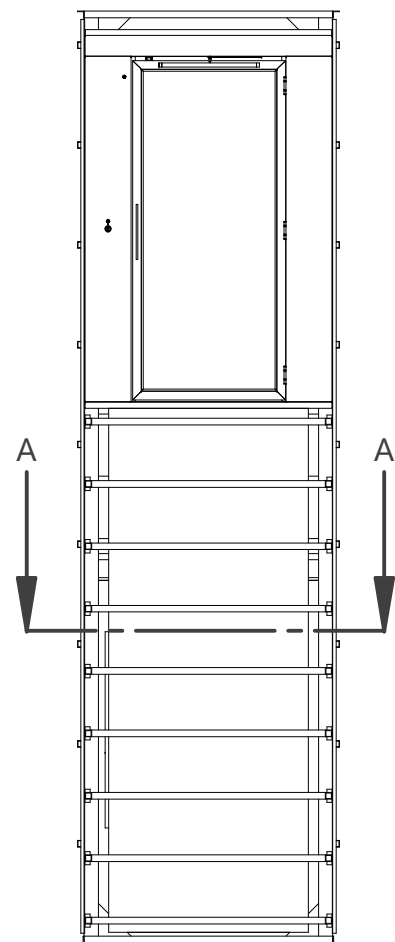
SECTION A-A



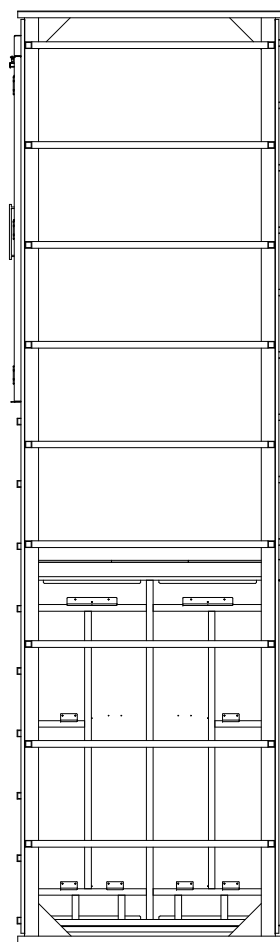
PLAN

20MM DOOR JAMB PROTRUSION

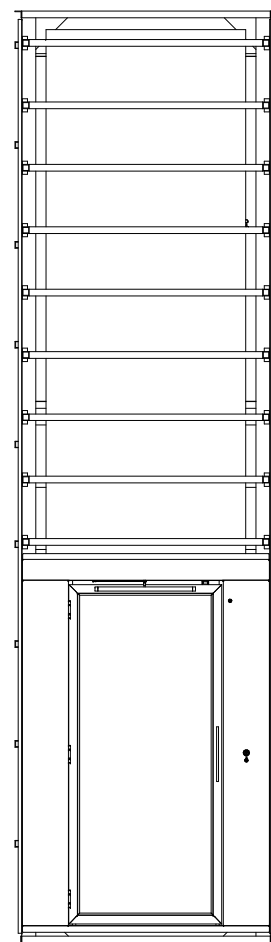
DESCRIPTION	CAR WIDTH	CAR DEPTH	CAR HEIGHT	SHAFT WIDTH	SHAFT DEPTH	DOOR WIDTH
KEY	A	B	C	D	E	F
SINGLE ENTRY - STANDARD	900	1300	2100	1375	1490	920
DUAL ENTRY - STANDARD	900	1300	2100	1375	1490	920
SINGLE ENTRY - DELUXE	1100	1400	2100	1575	1590	920/970
DUAL ENTRY - DELUXE	1100	1400	2100	1575	1590	920/970



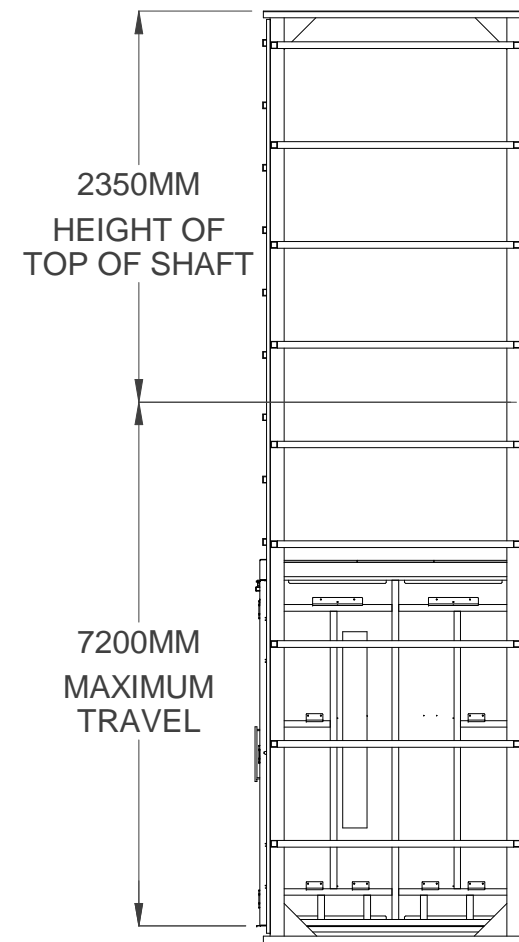
REAR



LEFT

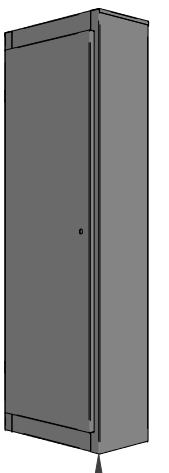
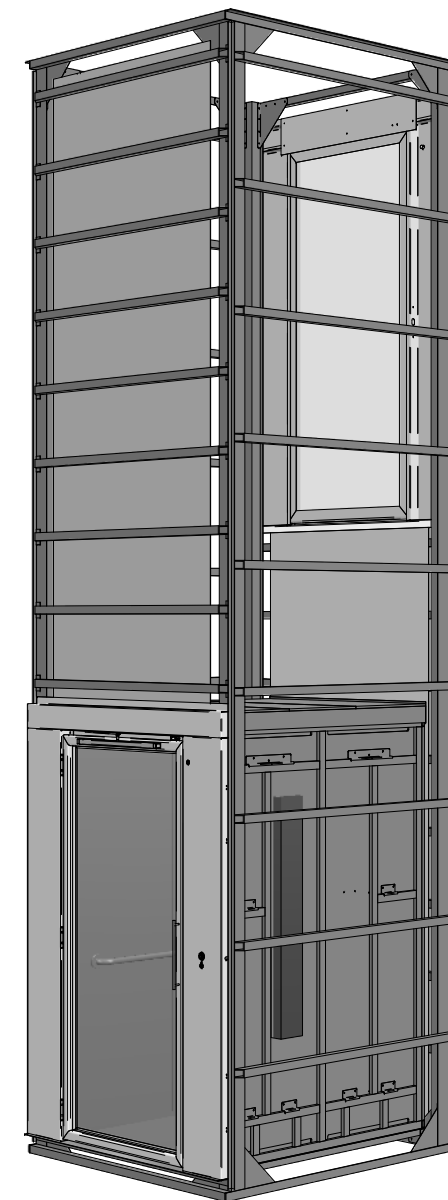


FRONT



RIGHT

80MM MINIMUM PIT DEPTH



MACHINE CABINET
605W X 335D X 1800H