

REV	DETAILS	DRAWN	CHECKED	DATE
F	SAMPLE ONLY NOT FOR MANUFACTURE	NICK S		03-09-2021



PROJECT NAME

GENERIC

DRAWING NUMBER

PIONEER-GEN-01F

LIFT TYPE

PIONEER - DELUXE

CODE COMPLIANCE	A.S. 1735 PART 18
CAPACITY	350KG
RATED SPEED	0.250M/SEC
MOTIVE OF OPERATION	TWIN DUAL STAGE SYNCHRONOUS HYDRAULIC CYLINDERS
CAR SIZE	1100MM WIDE X 1400MM DEEP X 2100MM HEIGHT
MINIMUM LIFT WELL SIZE	1410MM WIDE X 1515MM DEEP
MAXIMUM TRAVEL	3200MM
MINIMUM PIT	175MM

CONTENTS

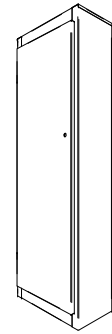
LIFT	2
LIFT CAR	3
TIMBER STRUCTURE	4
BASE LAYOUT	5
DOOR JAMBS	6
ELECTRICAL / PHONE	7



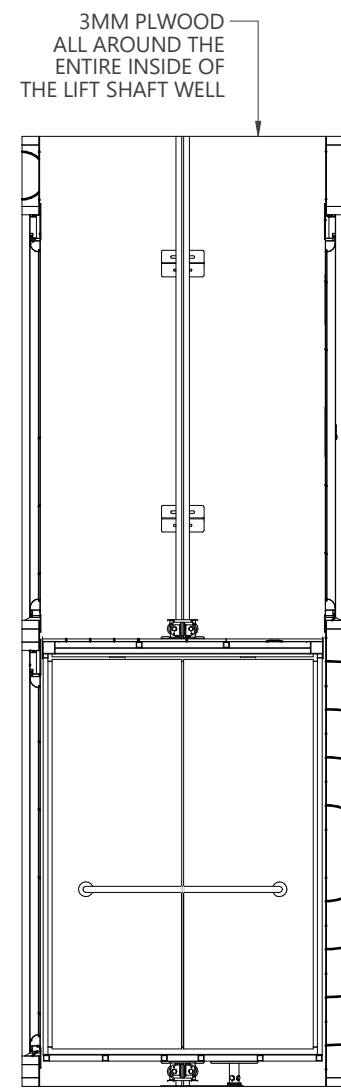
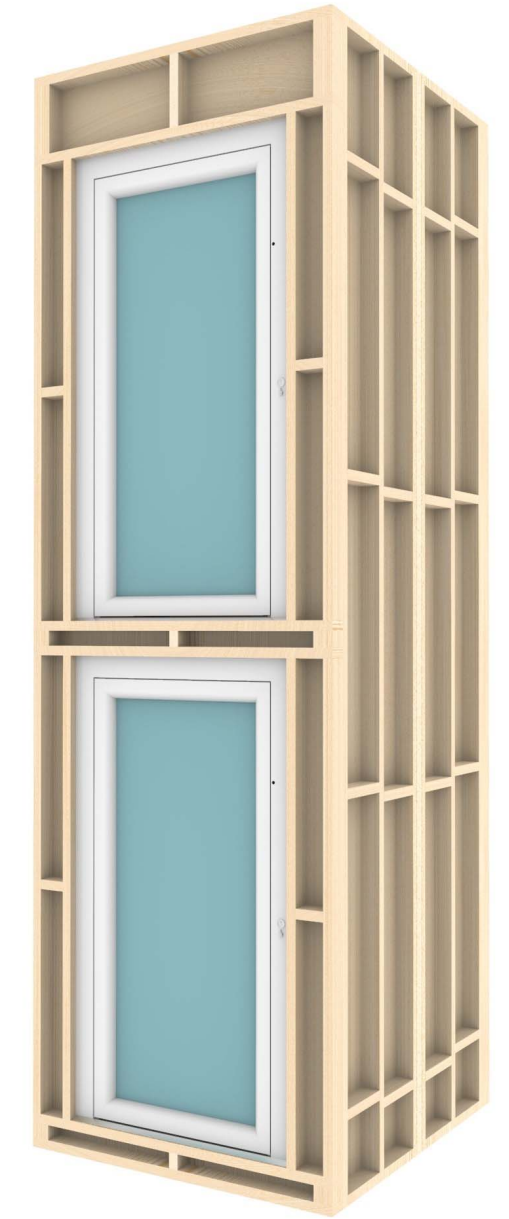
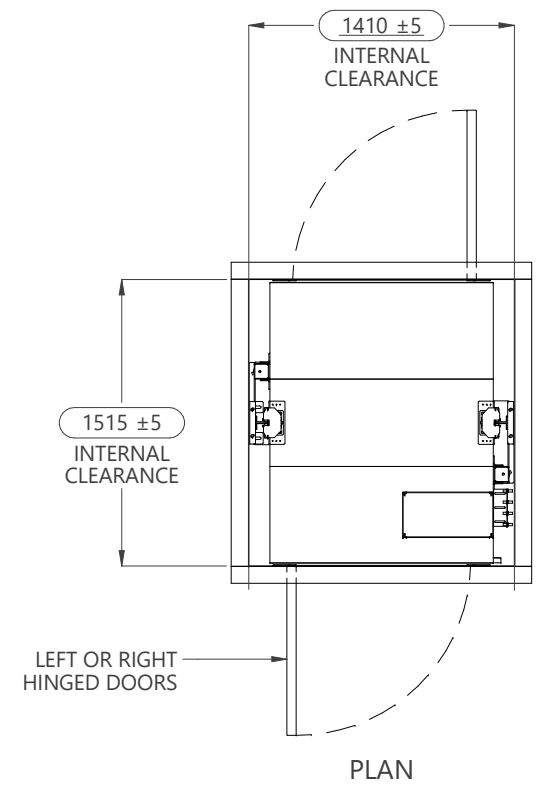
CLIENT APPROVAL				
SIGNATURE / /				
SCALE: A3		DRAWN	NICK S	03-09-2021
DIMENSIONS: MM (UNLESS SPECIFIED)		CHECKED		03-09-2021
CLIENT NAME		DRAWING NUMBER		REV
GENERIC		PIONEER-GEN-01F		F
SHEET 1 OF 7				

LIFT
PIONEER - DELUXE
 GENERIC

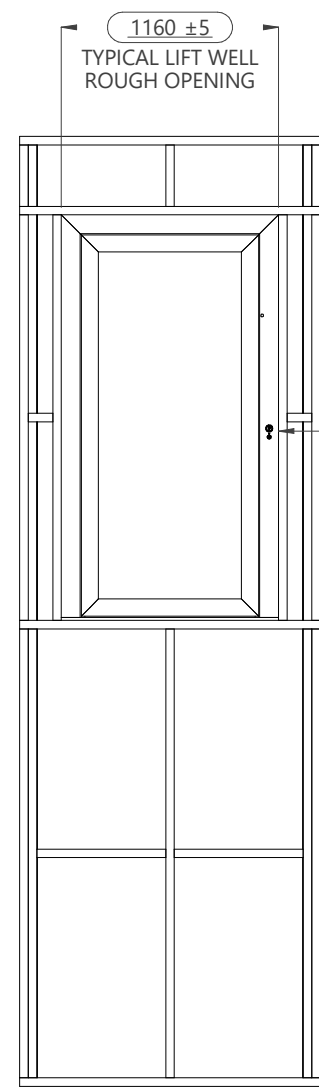
REV	DETAILS	DRAWN	CHECKED	DATE
F	SAMPLE ONLY NOT FOR MANUFACTURE	NICK S		03-09-2021



MACHINE CABINET
 605W X 335D X 1800H



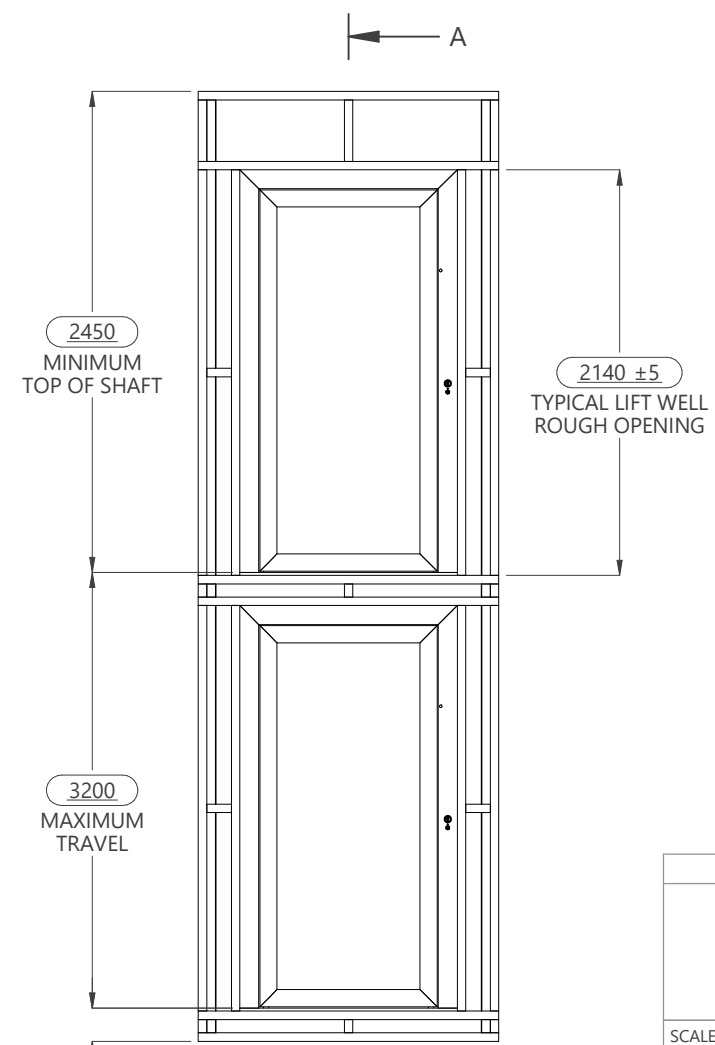
SECTION A-A



REAR



SIDE



FRONT

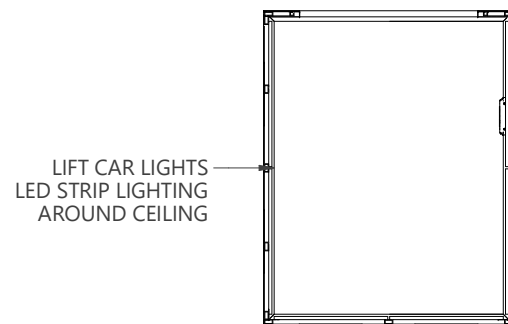
CLIENT APPROVAL				
SIGNATURE / /				
SCALE: A3		DRAWN	NICK S	03-09-2021
DIMENSIONS: MM (UNLESS SPECIFIED)		CHECKED		03-09-2021
CLIENT NAME		DRAWING NUMBER		REV
GENERIC		PIONEER-GEN-01F		F
SHEET 2 OF 7				

LIFT CAR

PIONEER - DELUXE

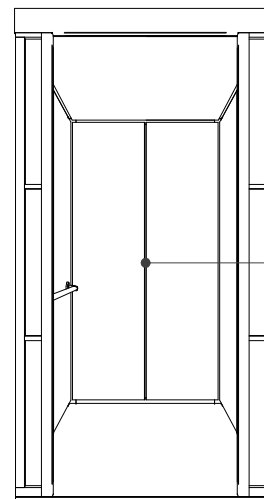
GENERIC

REV	DETAILS	DRAWN	CHECKED	DATE
F	SAMPLE ONLY NOT FOR MANUFACTURE	NICK S		03-09-2021

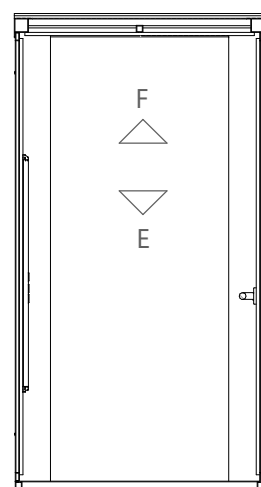


LIFT CAR LIGHTS
LED STRIP LIGHTING
AROUND CEILING

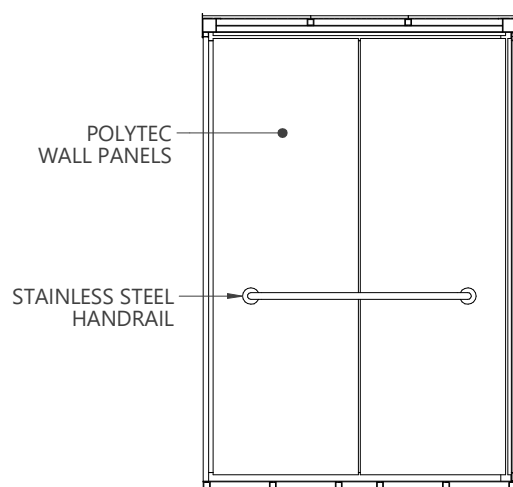
F CEILING



OPTIONAL REAR WALL
FOR SINGLE ENTRY



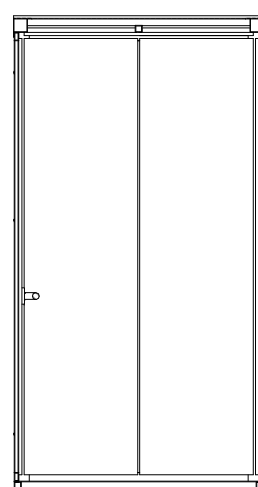
C FRONT



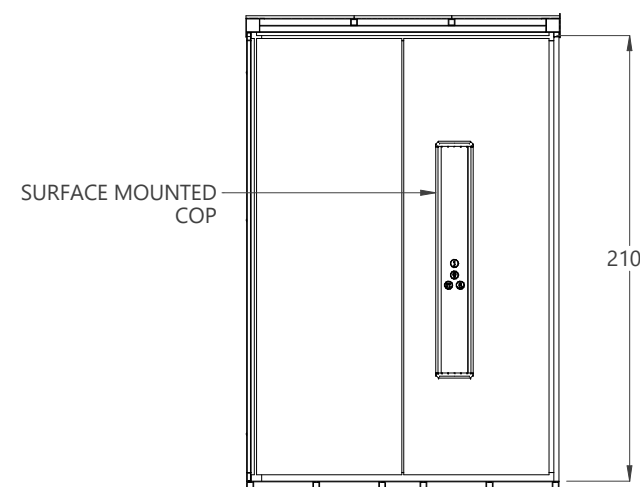
POLYTEC
WALL PANELS

STAINLESS STEEL
HANDRAIL

D LEFT



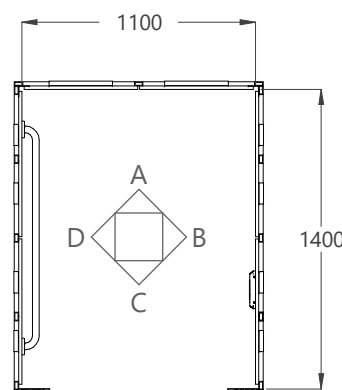
A REAR




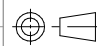
SURFACE MOUNTED
COP

2100

B RIGHT



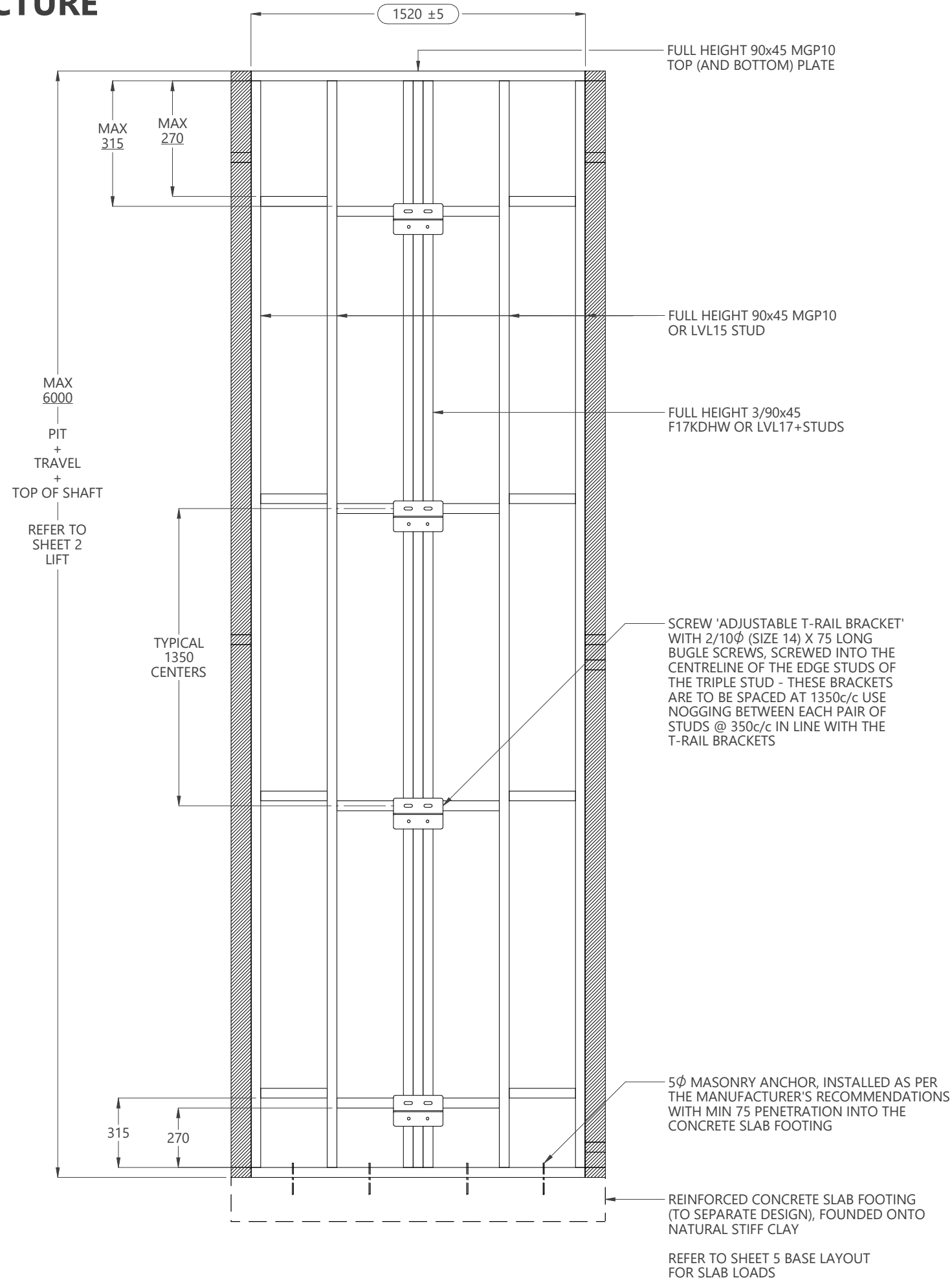
E FLOOR

CLIENT APPROVAL				
SIGNATURE / /				
SCALE: A3		DRAWN	NICK S	03-09-2021
DIMENSIONS: MM (UNLESS SPECIFIED)		CHECKED		03-09-2021
CLIENT NAME		DRAWING NUMBER		REV
GENERIC		PIONEER-GEN-01F		F
SHEET 3 OF 7				

TIMBER STRUCTURE


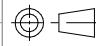
PIONEER - DELUXE

GENERIC



REV	DETAILS	DRAWN	CHECKED	DATE
F	SAMPLE ONLY NOT FOR MANUFACTURE	NICK S		03-09-2021

1. THIS PLAN IS NOT TO BE SCALED - TAKE ALL DIMENSIONS FROM THE ARCHITECTURAL PLAN
2. THIS DESIGN IS FOR THE WALL FRAME SUPPORTING THE LIFT STRUCTURE ONLY - REFER TO DESIGN BY OTHERS FOR ALL OTHER DETAILS
3. THE WALL SHOWN IS TO BE USED ON OPPOSITE SIDES OF THE LIFT, WITH THE OTHER TWO WALLS BEING NON-LOADBEARING STUD WALLS
4. THE WALLS ARE TO BE CONNECTED AT THE TOPS TO ROOF STRUCTURE, AS PER STANDARD BUILDING PRACTICE AND IN ACCORDANCE WITH AS1684.2
5. ALL WORK IS TO BE IN ACCORDANCE WITH ALL RELEVANT AUSTRALIAN STANDARDS, INCLUDING AS1684.2
6. THE WALL FRAMING HAS BEEN DESIGNED TO WITHSTAND DESIGN LOADS FOR THE OPERATION OF A STANDARD RESIDENTIAL LIFT IN A TWO LEVEL DWELLING
7. THESE WALLS ARE TO BE INTERNAL I.e NOT SUBJECTED TO CONSISTENT WIND LOAD

CLIENT APPROVAL				
SIGNATURE / /				
SCALE: A3		DRAWN	NICK S	03-09-2021
DIMENSIONS: MM (UNLESS SPECIFIED)		CHECKED		03-09-2021
CLIENT NAME		DRAWING NUMBER		REV
GENERIC		PIONEER-GEN-01F		F
SHEET 4 OF 7				

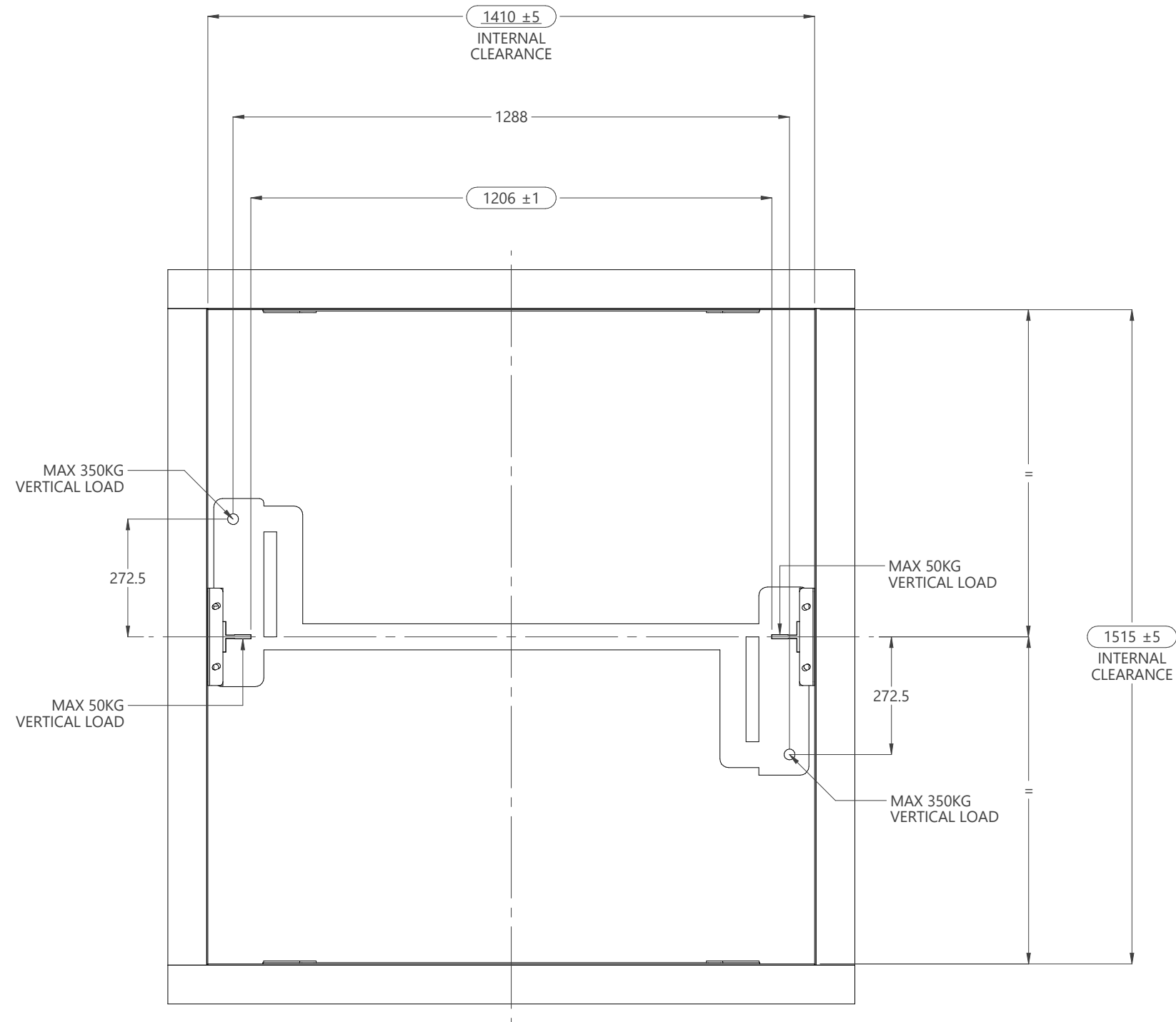
BASE LAYOUT

PIONEER - DELUXE

GENERIC

REV	DETAILS	DRAWN	CHECKED	DATE
F	SAMPLE ONLY NOT FOR MANUFACTURE	NICK S		03-09-2021

NOTE
WALL WEIGHTS HAVE NOT BEEN INCLUDED IN THE LOADS SHOWN ON THIS PAGE.



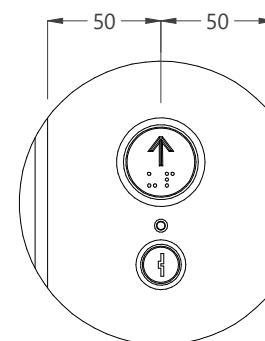
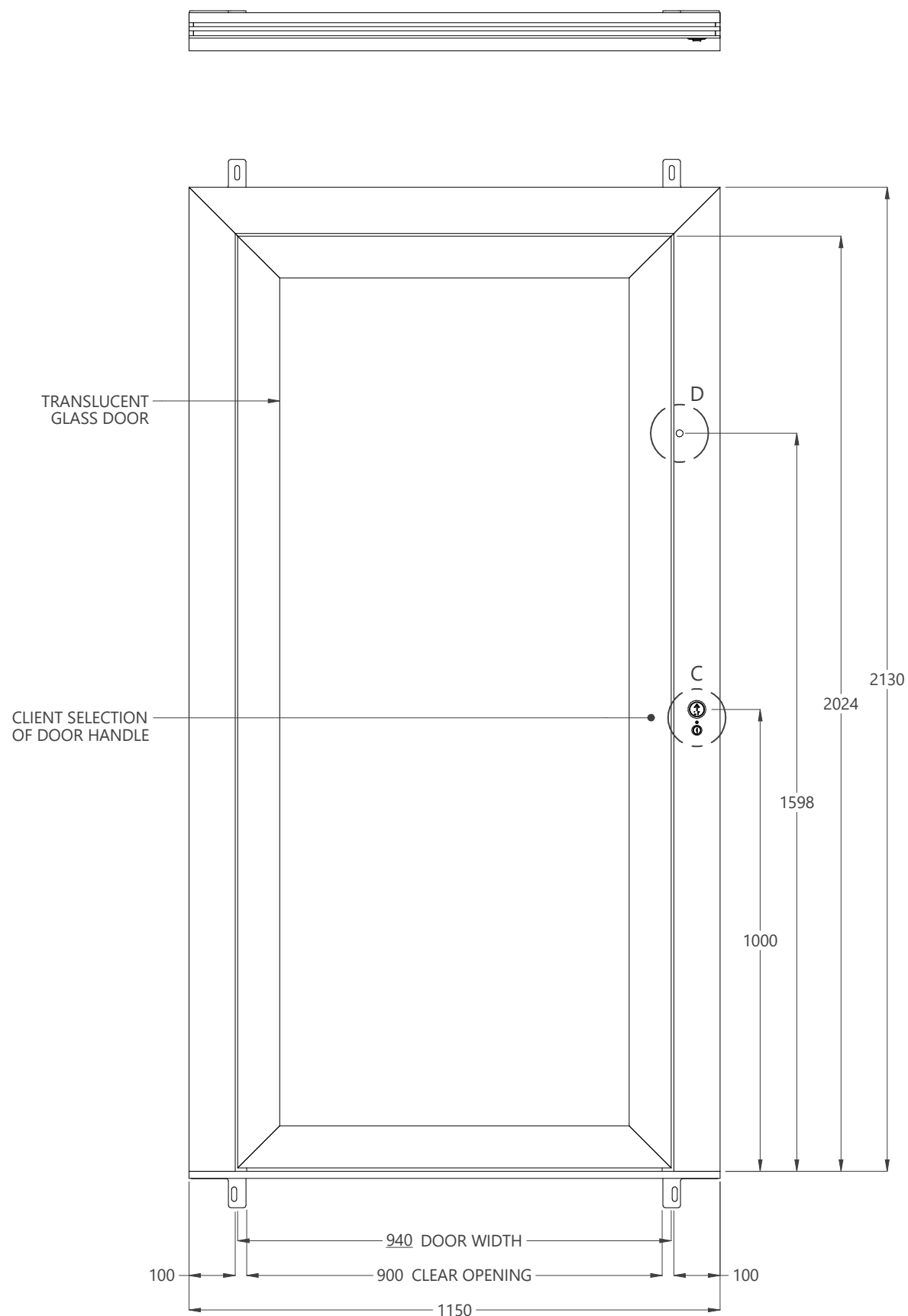
CLIENT APPROVAL		aussielifts		
SIGNATURE / /				
SCALE: A3	DIMENSIONS: MM (UNLESS SPECIFIED)	DRAWN	NICK S	03-09-2021
		CHECKED		03-09-2021
CLIENT NAME		DRAWING NUMBER		REV
GENERIC		PIONEER-GEN-01F		F
SHEET 5 OF 7				

DOOR JAMBS

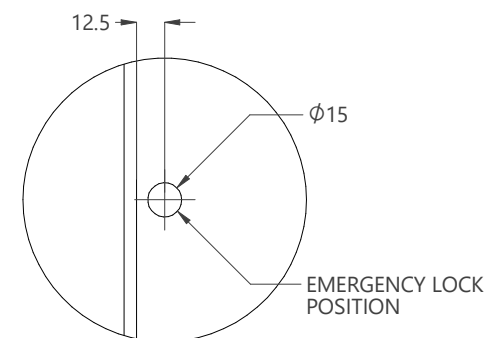
PIONEER - DELUXE

GENERIC

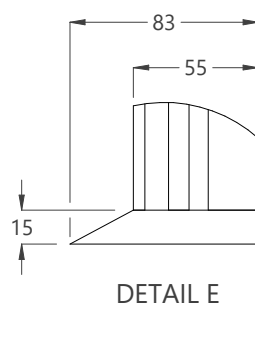
REV	DETAILS	DRAWN	CHECKED	DATE
F	SAMPLE ONLY NOT FOR MANUFACTURE	NICK S		03-09-2021



DETAIL C



DETAIL D



DETAIL E



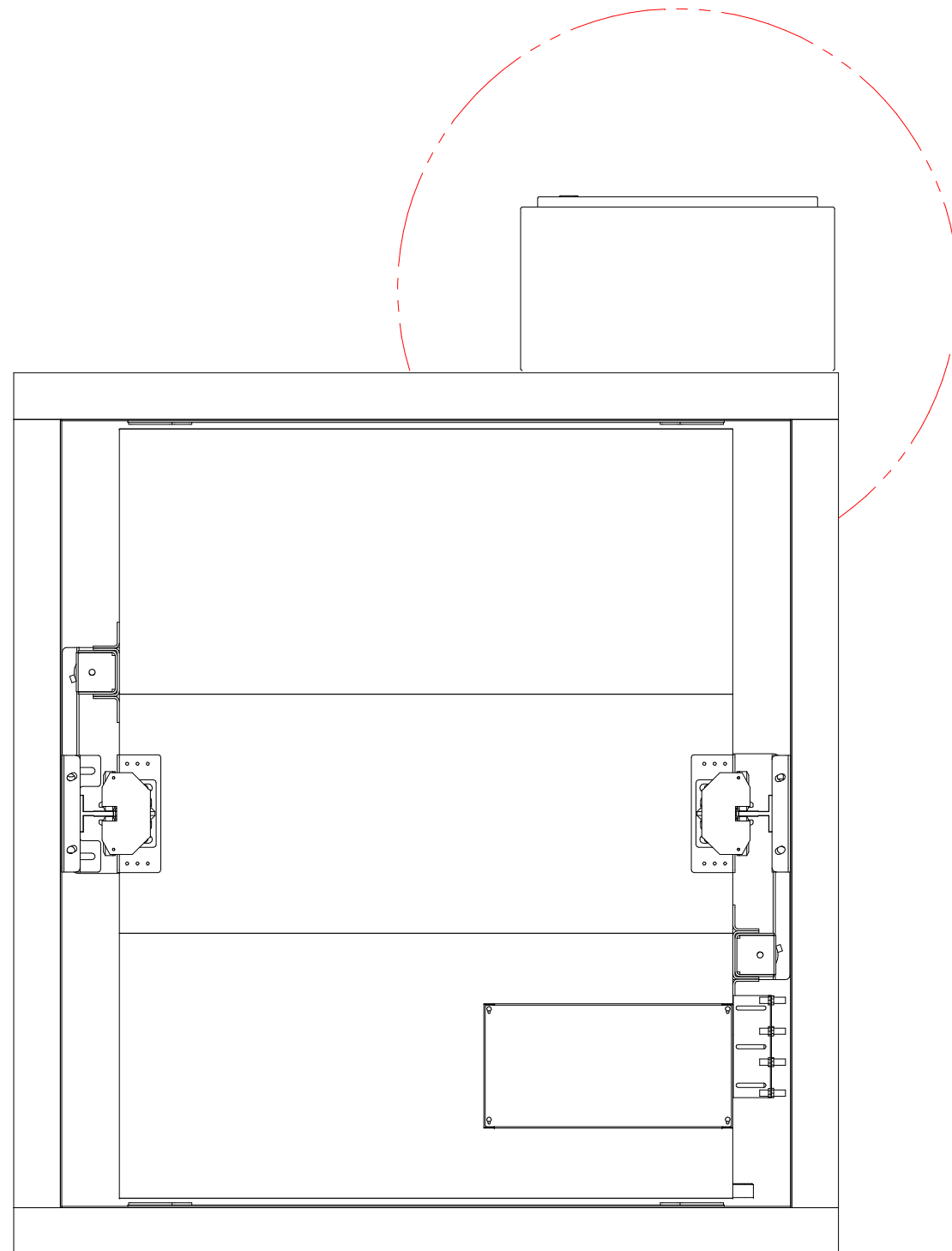
CLIENT APPROVAL		aussielifts		
SIGNATURE / /				
SCALE: A3	DIMENSIONS: MM (UNLESS SPECIFIED)	DRAWN	NICK S	03-09-2021
		CHECKED		03-09-2021
CLIENT NAME		DRAWING NUMBER		REV
GENERIC		PIONEER-GEN-01F		F
SHEET 6 OF 7				

ELECTRICAL / PHONE

PIONEER - DELUXE

GENERIC

REV	DETAILS	DRAWN	CHECKED	DATE
F	SAMPLE ONLY NOT FOR MANUFACTURE	NICK S		03-09-2021



ELECTRICAL REQUIREMENTS

INSTALLATION

THE INSTALLATION OF THE POWER SUPPLY IS TO BE DONE BY THE SITES ELECTRICAL CONTRACTOR

STANDARDS AND REGULATION

ALL ELECTRICAL REQUIREMENTS MUST BE IN ACCORDANCE WITH THE LATEST STANDARDS AND MUST BE COMPLETED PRIOR TO THE COMMENCEMENT OF THE LIFT INSTALLATION

EARTHING CONDUCTOR

ELECTRICAL CONTRACTOR TO PROVIDE AND FIT AN EARTHING CONDUCTOR FOR THE COMPLETE LIFT INSTALLATION IN THE MAIN ISOLATING UNIT/ DEVICE

ELECTRICAL SUPPLY

A PERMANENT DEDICATED 230V, SINGLE PHASE SUPPLY WITH CONDUCTORS AND EARTH WIRES WITH A MINIMUM CROSS-SECTION OF 2.5MM², SUPPLY MUST HAVE A RESIDUAL CURRENT CIRCUIT BREAKER OF NOMINAL CAPACITY. 20A TYPE "B", SENSITIVITY. 0.03A AND MCB TYPE "B", 20A.

EMERGENCY PHONE CONNECTION

WITH THE WIRELESS GATEWAY SUPPLIED BY AUSSIE LIFTS, A HARDWIRED PHONE LINE TO THE MACHINE CABINET IS NOT REQUIRED. IMPORTANT: AN ACTIVATED SIM CARD ON AN UNLIMITED CALL PLAN IS REQUIRED PRIOR TO THE HANDOVER OF THE LIFT.

IF A GATEWAY IS REJECTED, THEN SUPPLY OF A TELEPHONE LINE AGAIN TERMINATING AT THE MACHINE CABINET WITH A TAIL. THE LIFT TELEPHONE PROVIDED IS AN ANALOGUE PHONE AND DESIGNED FOR A STANDARD PSTN CONNECTION. ANY OTHER PHONE SYSTEM AT THE PROPERTY (I.E. VOIP) WILL REQUIRE A SUITABLE DIGITAL INTERFACE WITH A BACKUP BATTERY SYSTEM. YOU MIGHT SEEK ADVICE FROM YOUR NETWORK (HUB) INSTALLER OR RETAIL SERVICE PROVIDER (RSP) AS IS APPLICABLE.



ISOLATOR
EXAMPLE

ELECTRICAL COMPONENTS


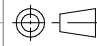
THE ELECTRICAL CONTRACTOR IS TO SUPPLY A LOCK OFF ISOLATOR DEVICE WITH A 5M GLANDDED TAIL INSTALLED (SEE RED CIRCLE AREA MARKED ABOVE). THE GLANDDED TAIL WILL BE CONNECTED BY THE LIFT CONTRACTOR TO THE MACHINE CABINET THE SUPPLY CABLES ARE TO HAVE AN ADEQUATE SECTION TO ALLOW FOR A VOLTAGE VARIATION OF +10% / -6% AT STARTUP AND SIZED TO SUIT RUNNING CURRENT 20AMP TYPE B BREAKER TERMINATING AT THE LOCK OF ISOLATION



CABLE
EXAMPLE

EMERGENCY PHONE CONNECTION

A LIVE LINE (DEDICATED TO THE LIFT, ANALOGUE TYPE) WITH A MINIMUM OF 5M CABLE TO BE INSTALLED BY THE ELECTRICAL CONTRACTOR (SEE RED CIRCLE AREA MARKED ABOVE). THE LIFT CONTRACTOR WILL INSTALL TO THE LIFT CONTROLLER.
NOT REQUIRED IF GSM PHONE CONNECTION IS USED.

CLIENT APPROVAL				
SIGNATURE / /				
SCALE: A3		DRAWN	NICK S	03-09-2021
DIMENSIONS: MM (UNLESS SPECIFIED)		CHECKED		03-09-2021
CLIENT NAME		DRAWING NUMBER		REV
GENERIC		PIONEER-GEN-01F		F
SHEET 7 OF 7				