

REVISION HISTORY				
ZONE	REV	DESCRIPTION	DATE	APPROVED
	1	TEETH MODULE WAS 1.5 mm	30/01/2015	FB
	2	WAS 500 mm	02/02/2015	FB

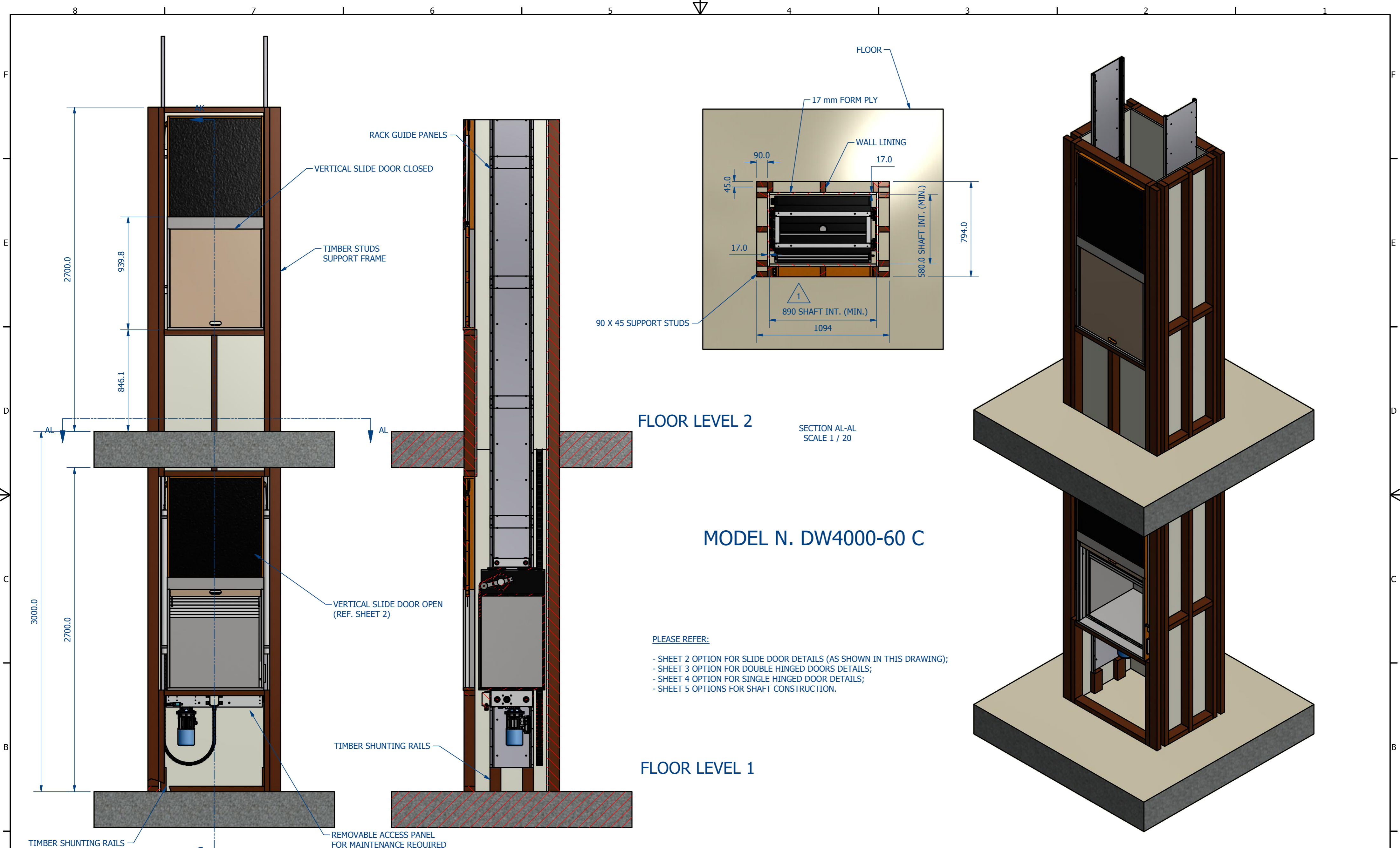
dumbwaiters Australia Pty Ltd
 Unit 2, 200 Boundary Road, Braeside, Victoria, 3195, Australia
 Tel: 613 9590 9091 Fax: 613 8625 0017

60 Kg Commercial Car
 PROJECT: Job No: SCALE

DESIGNED: Fabrizio Battagliotti DATE: 3/10/2014
 DRAWN: Fabrizio Battagliotti DATE:
 CHECKED: DATE:
 MFG APPROVED: DATE:

CUSTOMER: DRAWING No: **AVL-000-GEN-60** SHEET: 1 / 6 REV: 2
 Material: PART No: AVL DW-60 Car ASSY_Commercial SHEET SIZE: A2

THIRD ANGLE PROJECTION
 DO NOT SCALE DIMENSIONS IN mm DRAFTING STANDARDS TO AS 1100
 Tolerances unless specified:
 0 DEC. PL ± 0.5
 1 DEC. PL ± 0.1
 2 DEC. PL ± 0.05
 ANGULAR ± 0.5°



FLOOR LEVEL 2
SECTION AL-AL
SCALE 1 / 20

MODEL N. DW4000-60 C

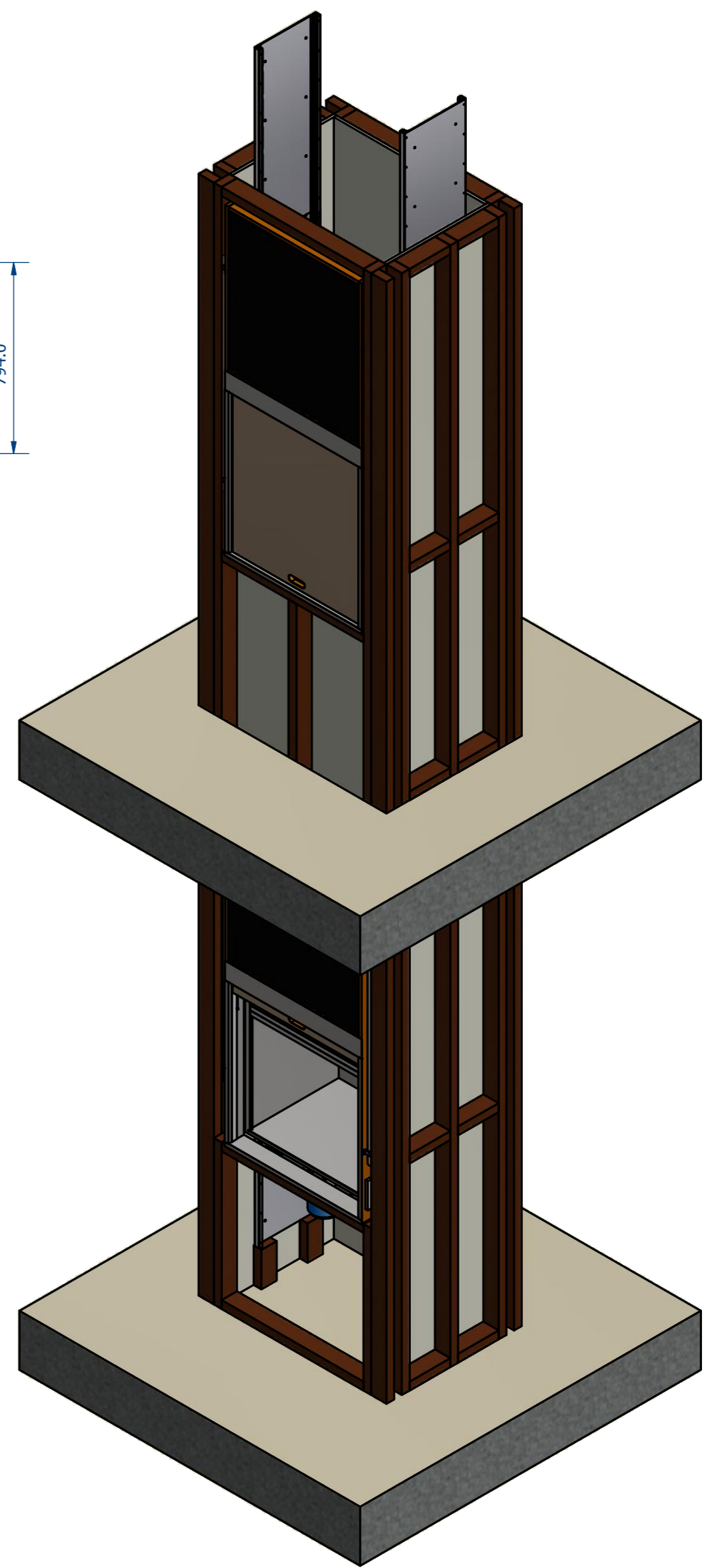
FLOOR LEVEL 1
SECTION AK-AK
SCALE 1 / 20

PLEASE REFER:

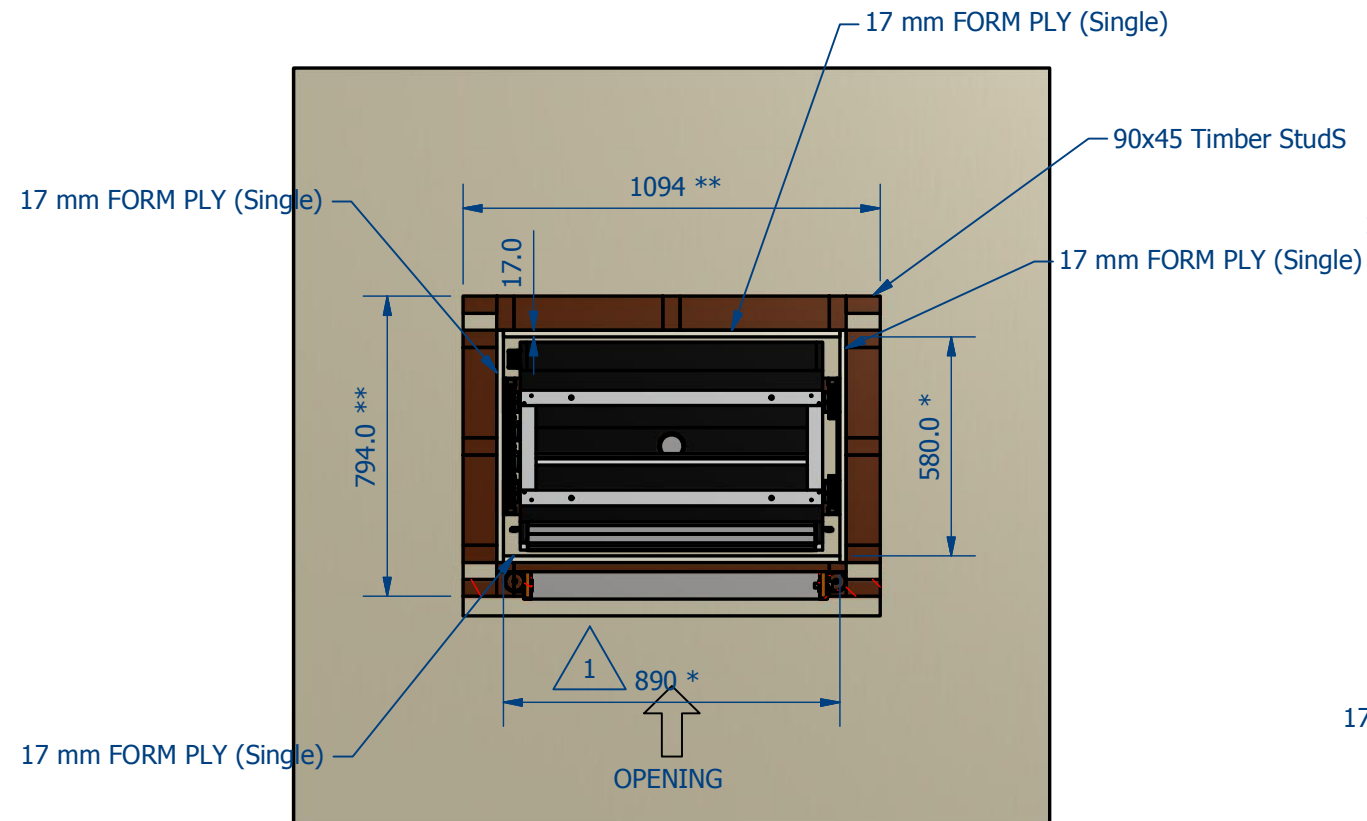
- SHEET 2 OPTION FOR SLIDE DOOR DETAILS (AS SHOWN IN THIS DRAWING);
- SHEET 3 OPTION FOR DOUBLE HINGED DOORS DETAILS;
- SHEET 4 OPTION FOR SINGLE HINGED DOOR DETAILS;
- SHEET 5 OPTIONS FOR SHAFT CONSTRUCTION.

1. SHAFT TOLERANCES ARE ± 5 mm PLUMB AND SQUARE
2. BUILDER TO SUPPLY AND INSTALL AS NEW CONDITION FORMRITE. FIXING SCREWS EVERY 250 mm ON STUDS.
3. FORMRITE TO RUN CONTINUOUSLY FROM TOP TO BOTTOM.
4. CEILING OF SHAFT TO BE LINED.
5. BUILDER TO SHEET EXTERNAL SURFACES AND FIT REMOVABLE DOOR JAMS AND SUPPLY DOORS TO SUIT AESTHETICS.

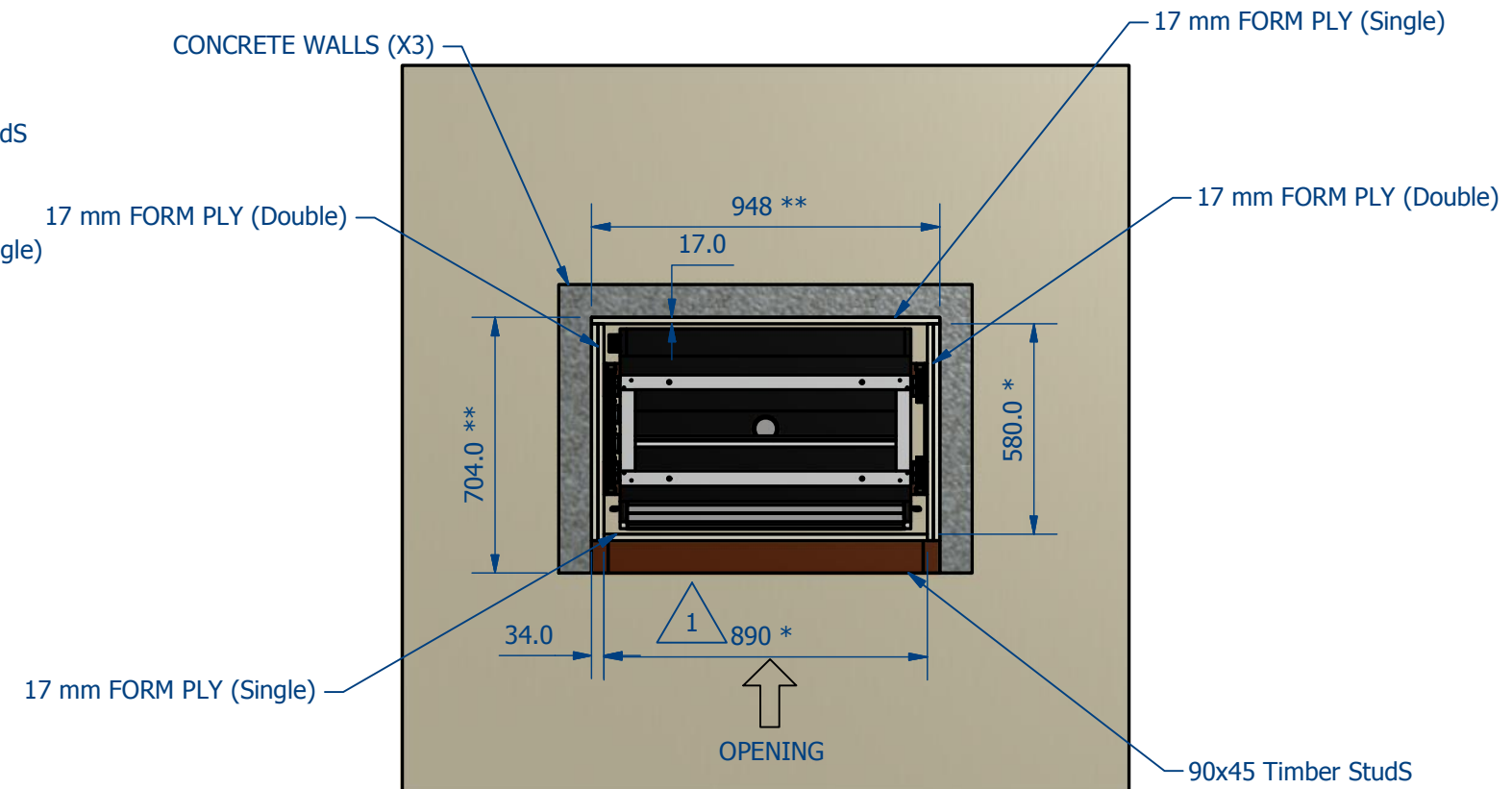
REVISION HISTORY				
ZONE	REV	DESCRIPTION	DATE	APPROVED
8	1	TEETH MODULE WAS 1.5 mm	30/01/2015	FB
E7	2	WAS 500 mm	02/02/2015	FB



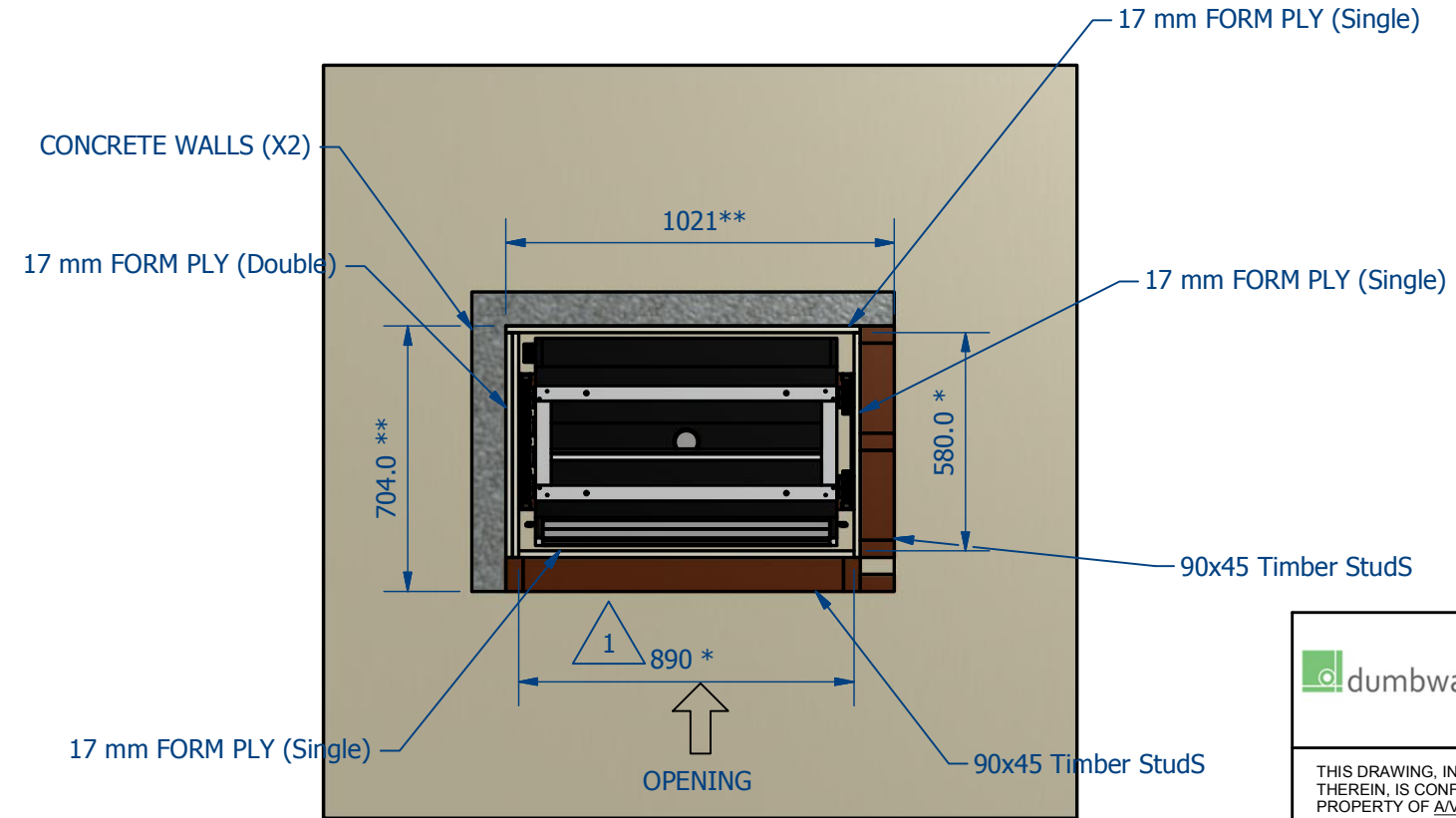
<p>Dumbwaiters Australia Pty Ltd Unit 2, 200 Boundary Road, Braeside, Victoria, 3195, Australia Tel. 613 9590 9091 Fax: 613 8625 0017</p>		<p>TITLE: Standard DW-60 Commercial Stud Shaft Installation</p> <p>Job No: _____</p>	
<p>THIS DRAWING, INCLUDING INFORMATION SHOWN THEREIN, IS CONFIDENTIAL AND IS THE EXCLUSIVE PROPERTY OF DUMBWAITERS AUSTRALIA. IT IS SUBJECT TO RETURN UPON DEMAND. IT IS LOANED TO A SUPPLIER FOR EXCLUSIVE USE BY THE SUPPLIER. REPRODUCTION, EXHIBITION, OR USE FOR ANY OTHER PURPOSE, OR BY ANY PERSON IS NOT AUTHORISED.</p>		<p>CUSTOMER: AV LIFTS</p> <p>DRAWING No: AVL-000-GEN-60</p> <p>Material: _____</p>	
<p>DESIGNER: Fabrizio Battagliotti</p> <p>DRAWN: FB</p> <p>CHECKED: _____</p> <p>MFG APPROVED: _____</p>		<p>DATE: 15/09/2014</p> <p>DATE: _____</p> <p>DATE: _____</p> <p>DATE: _____</p>	
<p>THIRD ANGLE PROJECTION</p> <p>DO NOT SCALE DIMENSIONS IN mm DRAFTING STANDARDS TO AS 1100</p>		<p>SCALE: _____</p> <p>SHEET: 3 / 6</p> <p>REV: 1</p> <p>SHEET SIZE: A2</p>	



STUD-WORK DW60 (60 Kg) CAR INSTALLATION
 NOTE:
 (*) MIN. SHAFT SIZE REQUIREMENT
 (**) MIN. FLOOR OPENING REQUIREMENT



BLOCK-WORK DW60 (60Kg) CAR INSTALLATION
 NOTE:
 (*) MIN. SHAFT SIZE REQUIREMENT
 (**) MIN. FLOOR OPENING REQUIREMENT



STUD+BLOCK WORK DW60 (60 Kg) CAR INSTALLATION
 NOTE:
 (*) MIN. SHAFT SIZE REQUIREMENT
 (**) MIN. FLOOR OPENING REQUIREMENT

AV Lifts Australia Pty Ltd Unit 2, 200 Boundary Road, Braeside, Victoria, 3195, Australia Tel. 613 9590 9091 Fax: 613 8625 0017		TITLE: PROJECT:		Job No:			
THIS DRAWING, INCLUDING INFORMATION SHOWN THEREIN, IS CONFIDENTIAL AND IS THE EXCLUSIVE PROPERTY OF AV LIFTS AUSTRALIA. IT IS LOANED TO A SUPPLIER FOR EXCLUSIVE USE BY THE SUPPLIER. REPRODUCTION, EXHIBITION, OR USE FOR ANY OTHER PURPOSE, OR BY ANY PERSON IS NOT AUTHORIZED.		DESIGNED: Fabrizio Battagliotti	DATE: 15/09/2014	CUSTOMER AV LIFTS		SCALE	
Tolerance unless specified 0 DEC. PL. ± 0.5 1 DEC. PL. ± 0.1 2 DEC. PL. ± 0.05 ANGULAR ± 0.5		DRAWN: FB	DATE:	DRAWING No AVL-000-GEN-60		SHEET 5 / 6	REV. 1
THIRD ANGLE PROJECTION DO NOT SCALE DIMENSIONS IN mm DRAFTING STANDARDS TO AS 1100		CHECKED:	DATE:	Material:		PART No	SHEET SIZE A3